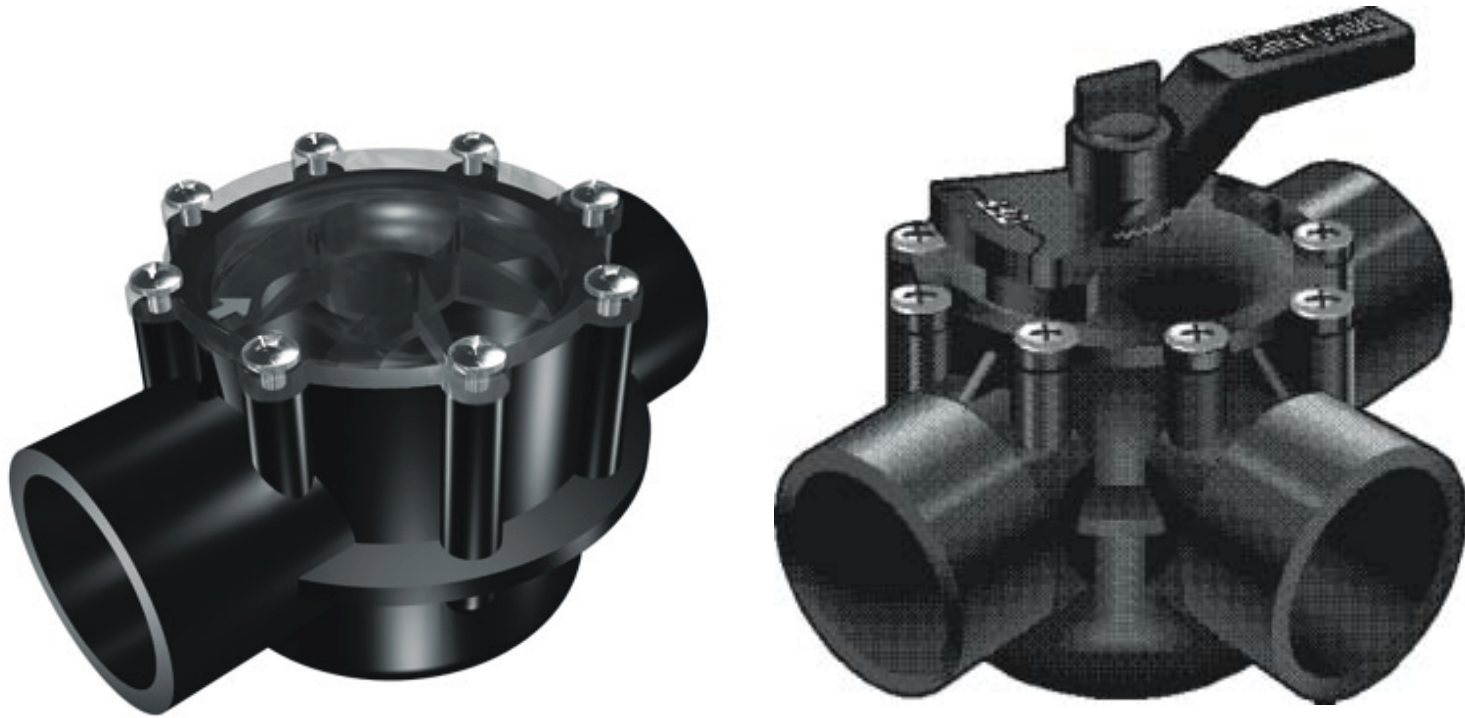


Jandy Valve



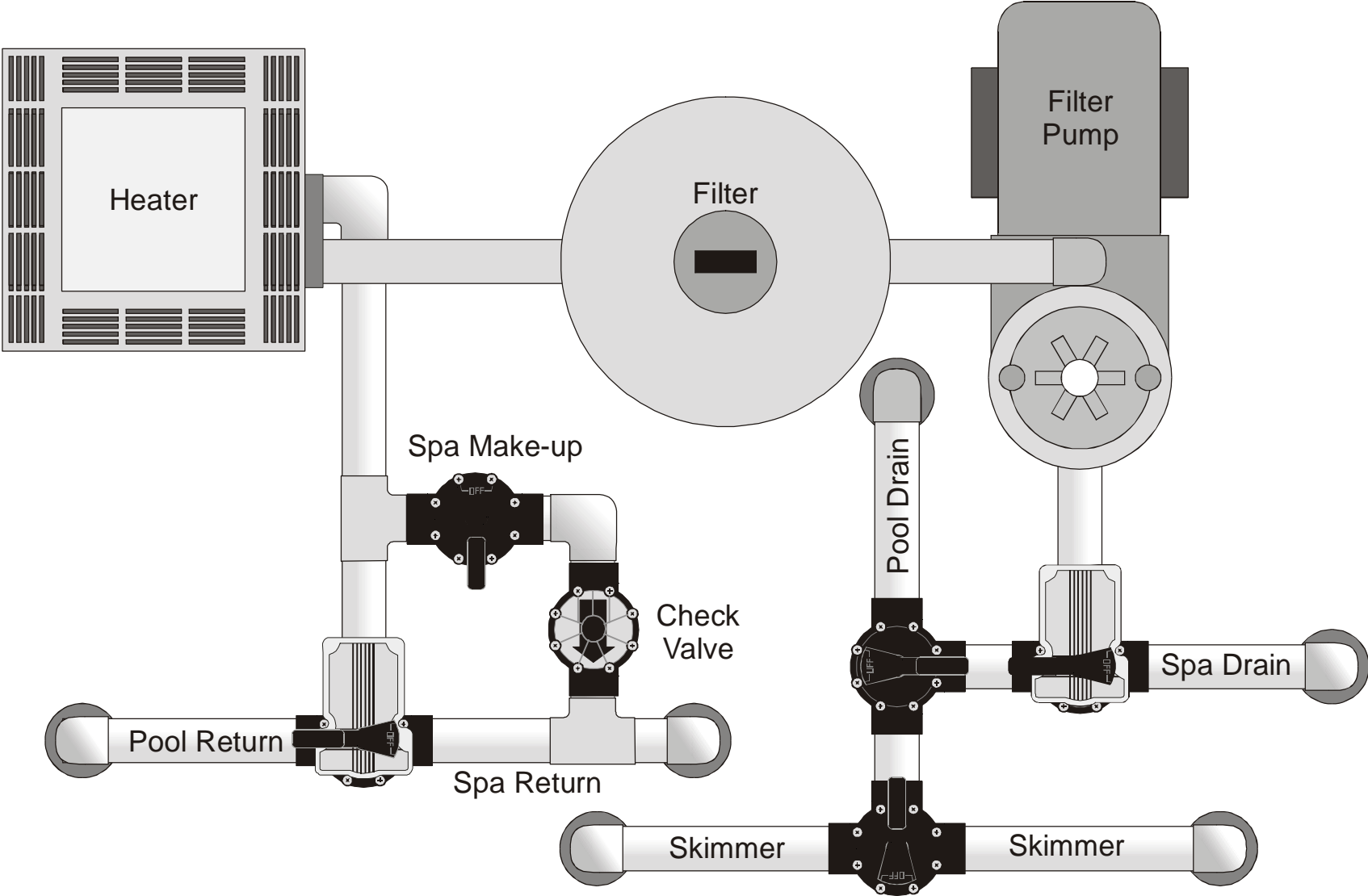
Plumbing Schematics

Table of Contents

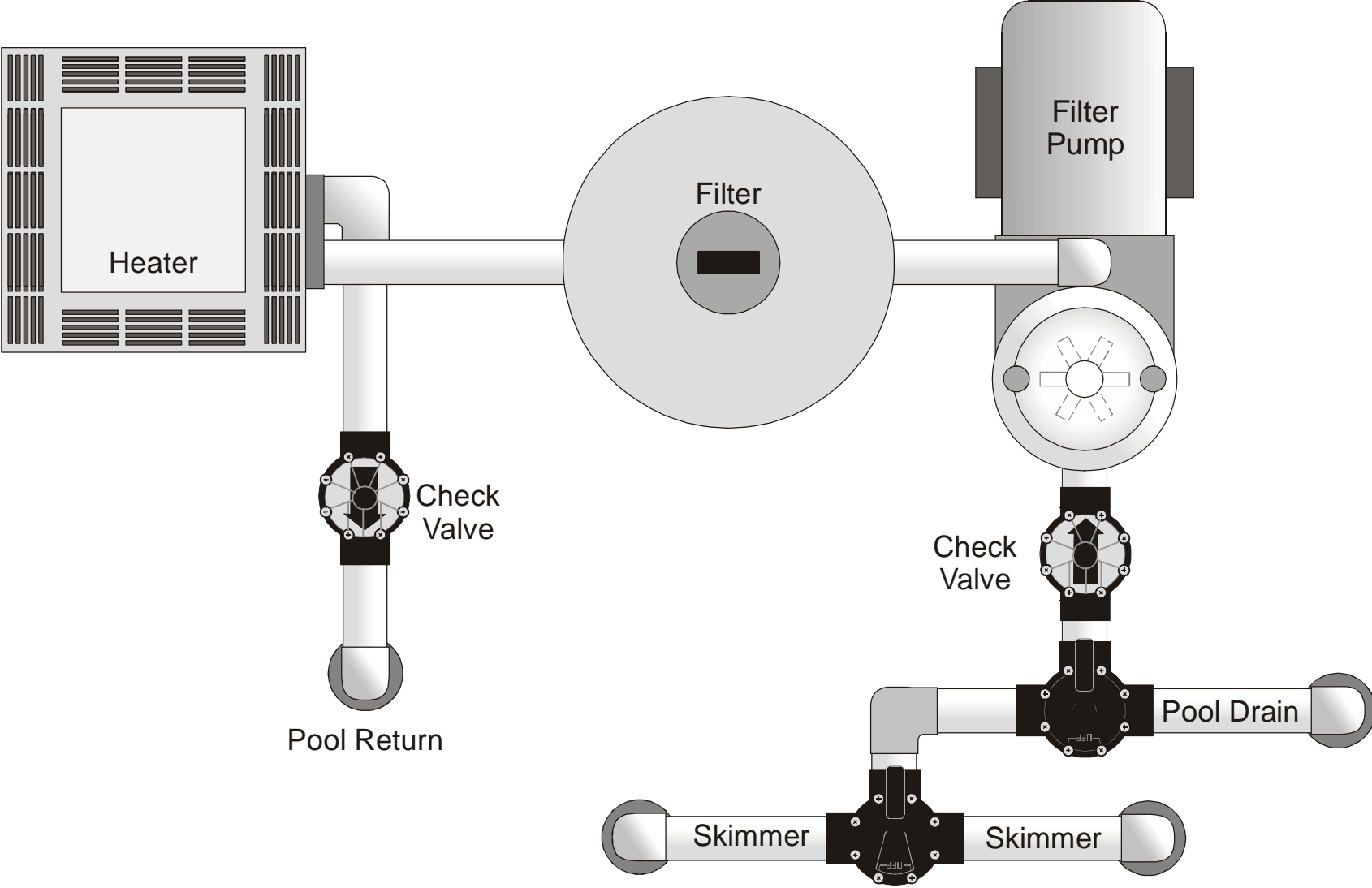
| | |
|--|--------------|
| Basic Pool & Spa Combination Plumbing | Pg. 2 |
| Basic Pool or Spa Only Plumbing (Equip above Grade) | Pg. 3 |
| Non-Booster Pump Pool Cleaner Plumbing | Pg. 4 |
| Booster Pump Pool Cleaner Plumbing | Pg. 5 |
| Solar Plumbing | Pg. 6 |
| Waterfall Plumbing | Pg. 7 |
| Two Pump Single Heater Plumbing | Pg. 8 |
| Ozone / Chemical Feeder Plumbing | Pg. 9 |

***Please note: The enclosed schematics are only SUGGESTED plumbing techniques; there may be other methods of plumbing the illustrated layouts. Teledyne Laars/Jandy Products takes no responsibility for the proper or improper functioning of your plumbing equipment or its layout.**

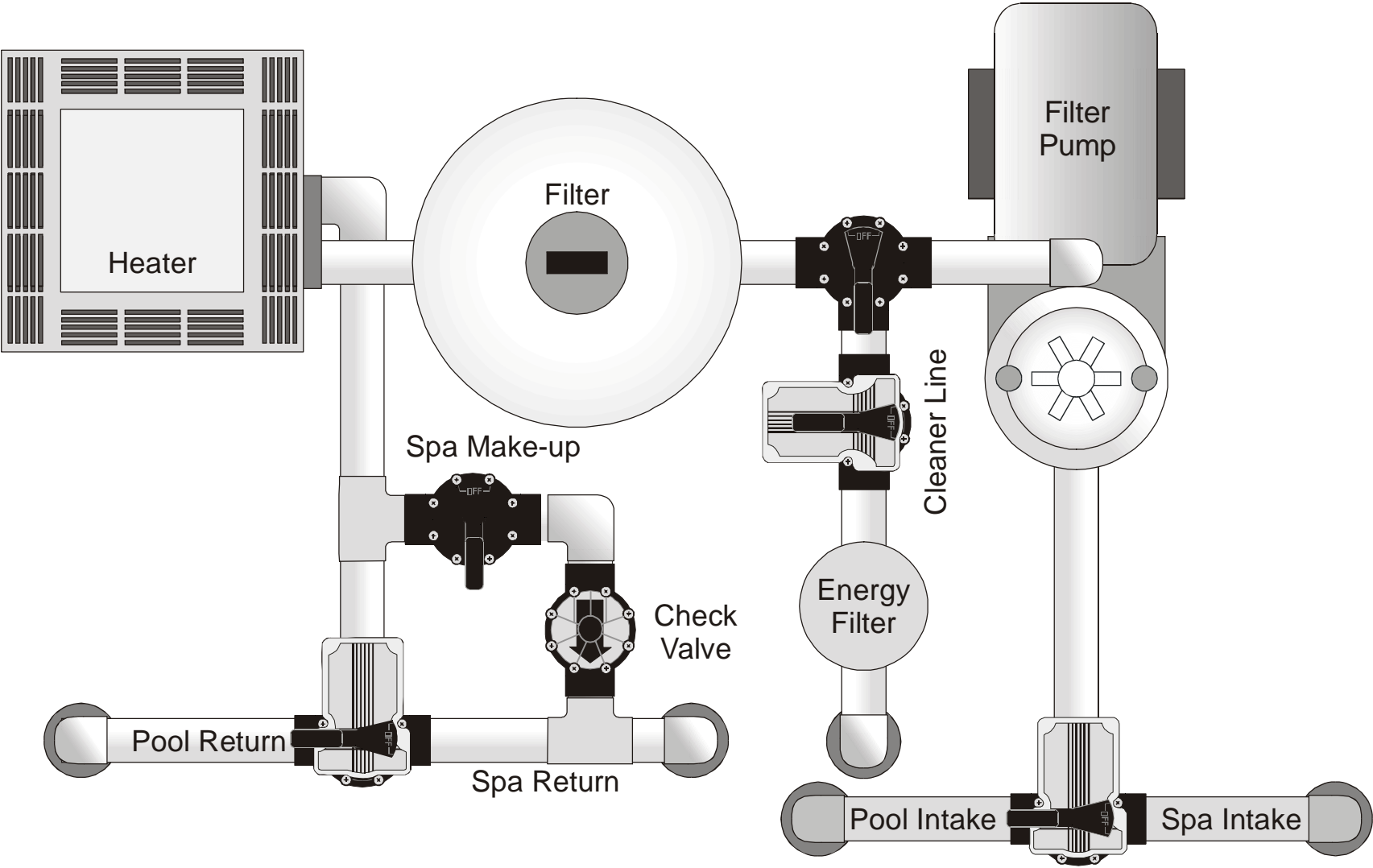
Basic Pool & Spa Combination Plumbing



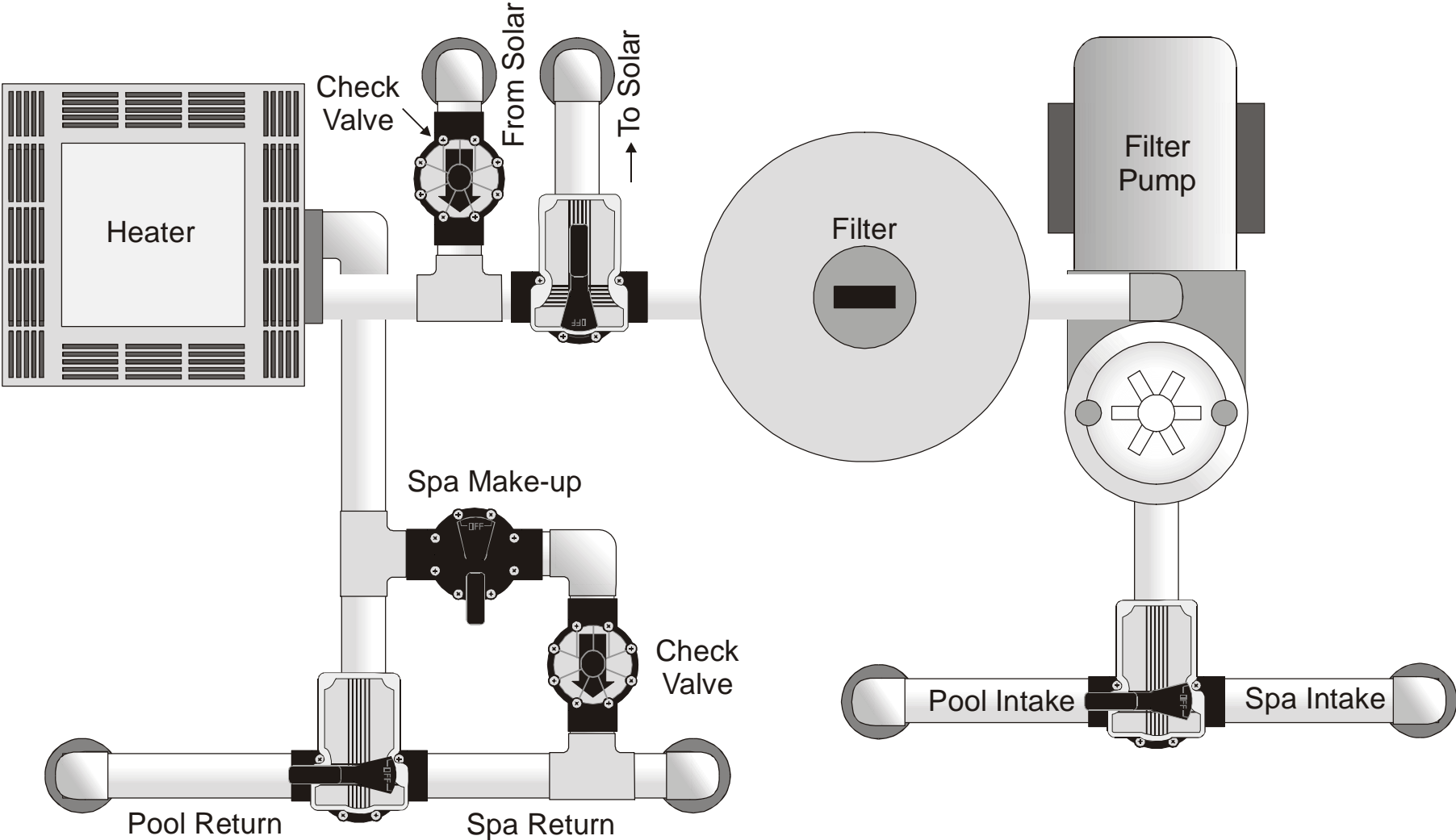
**Basic Pool or Spa Only Plumbing -
(Equipment Located Above Grade)**



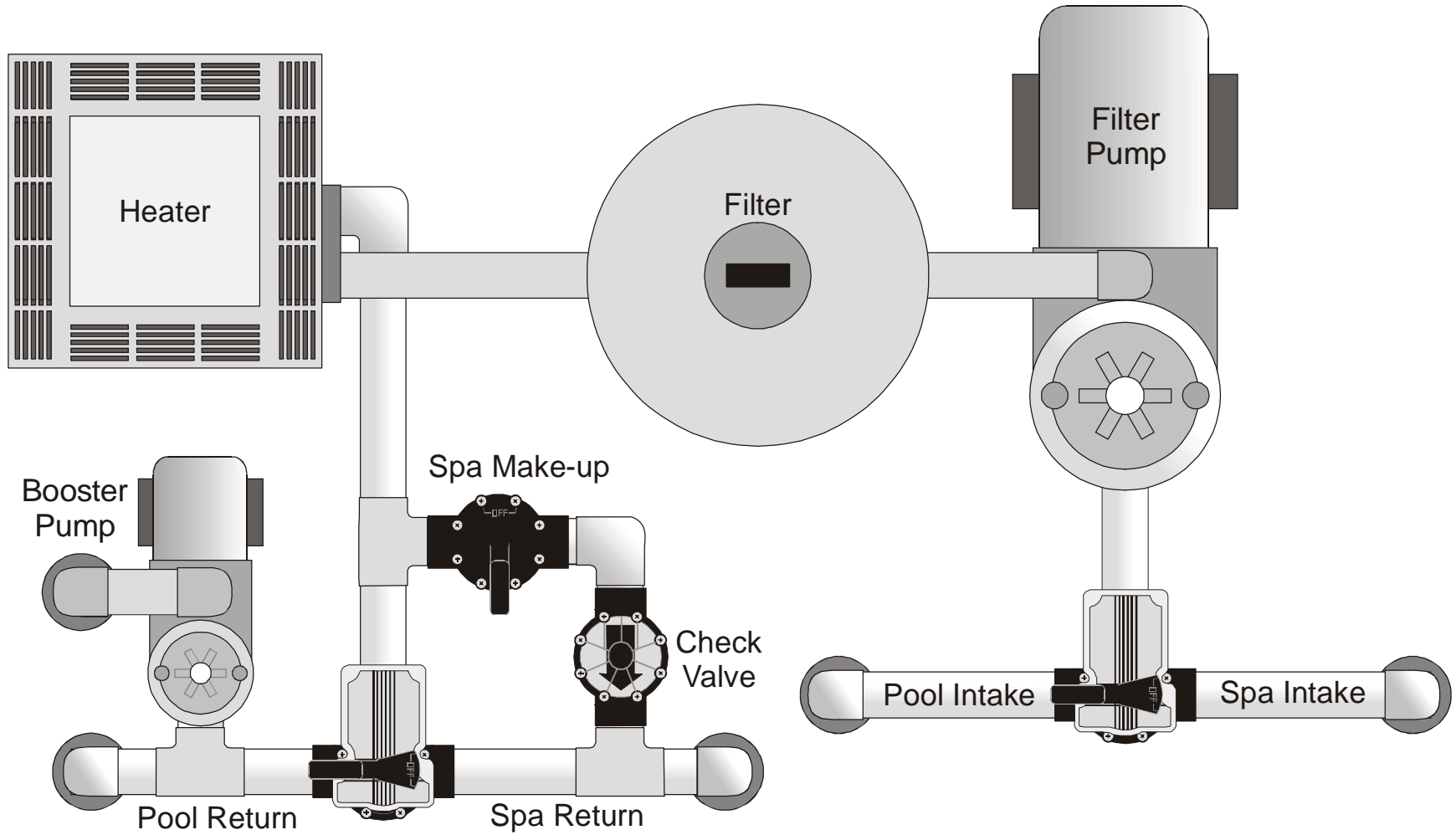
Non-Booster Pump Pool Cleaner Plumbing



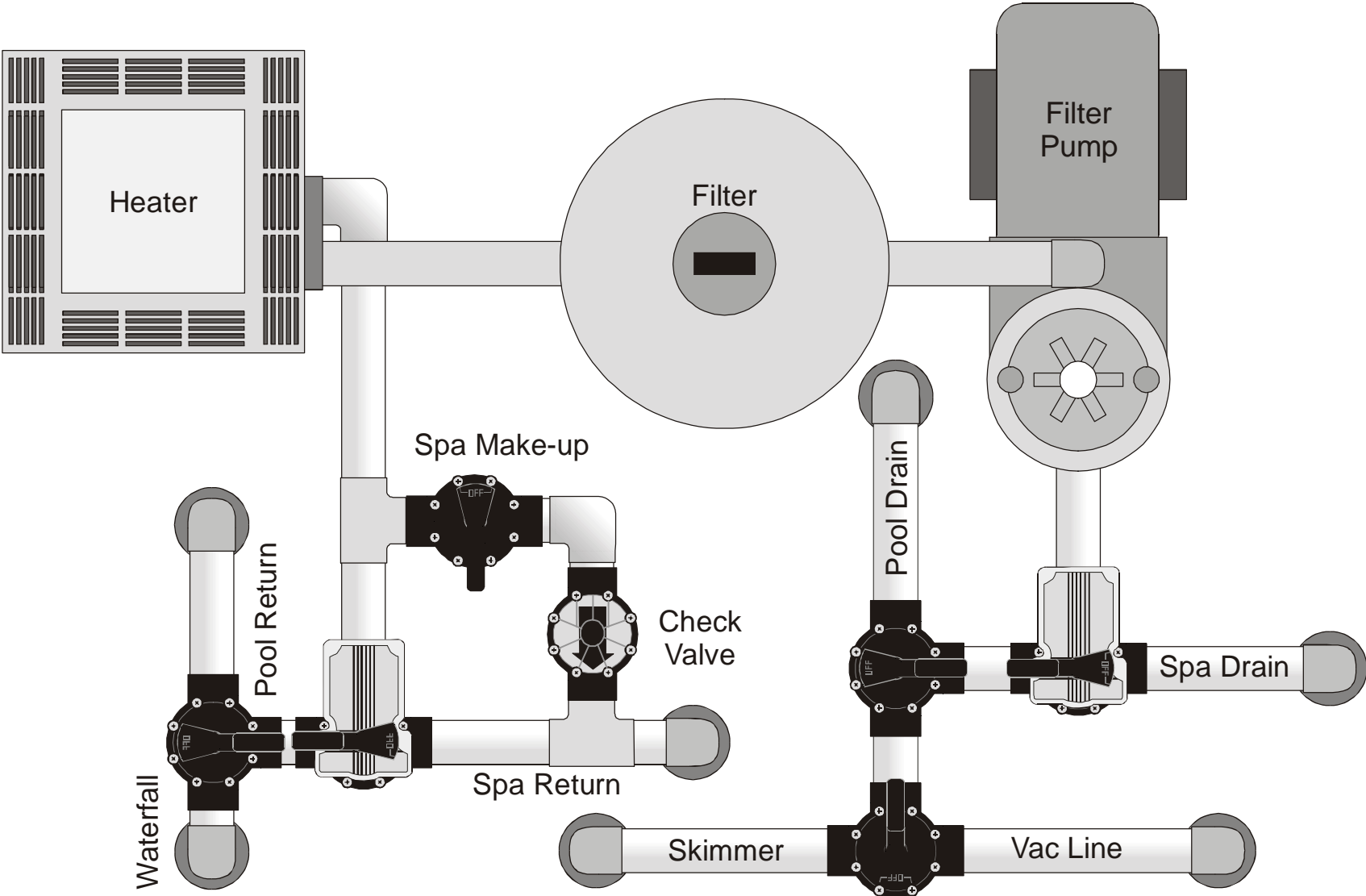
Solar Plumbing



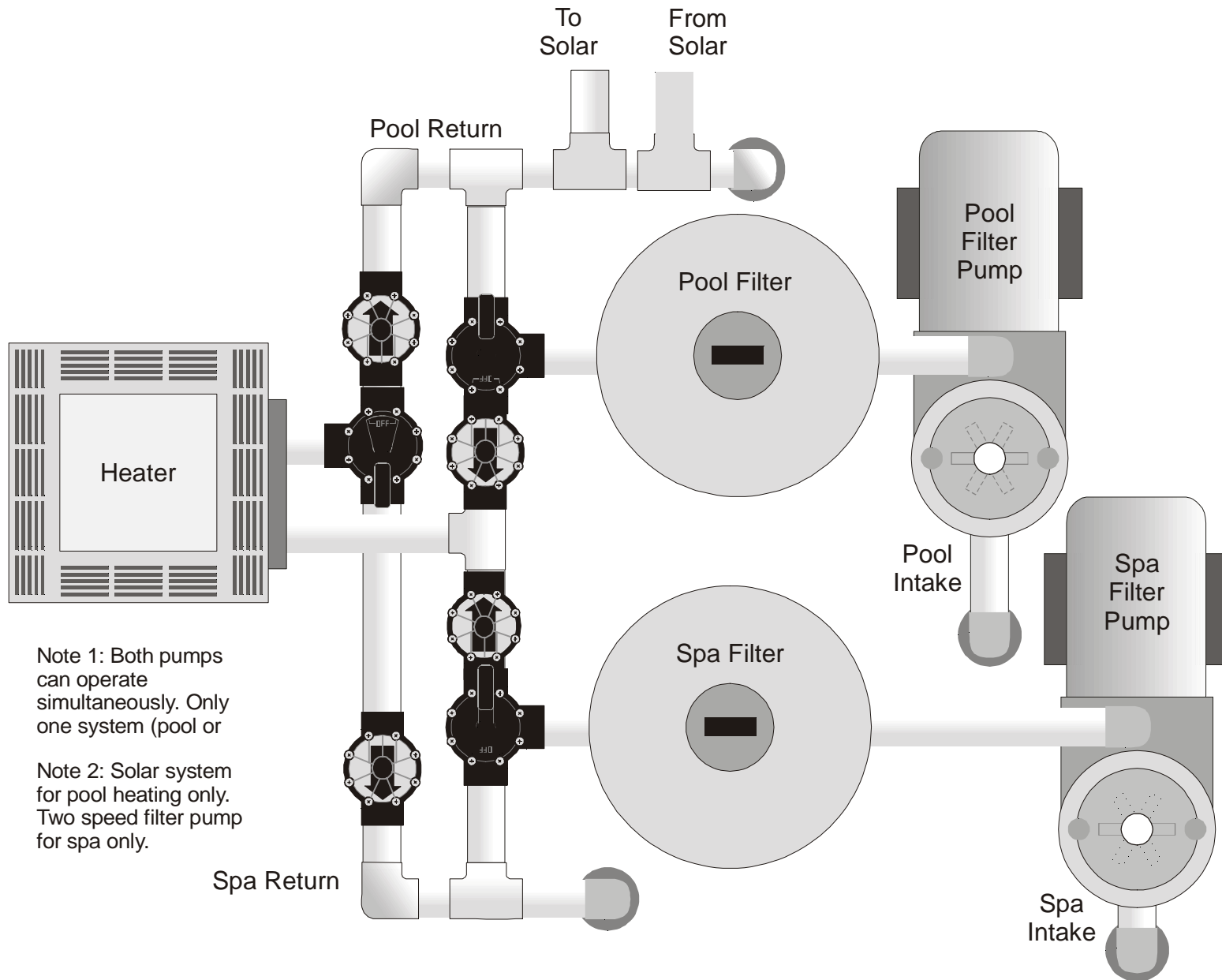
Booster Pump Pool Cleaner Plumbing



Waterfall Plumbing



Two Pump Single Heater Plumbing (valves shown in spa heating position)

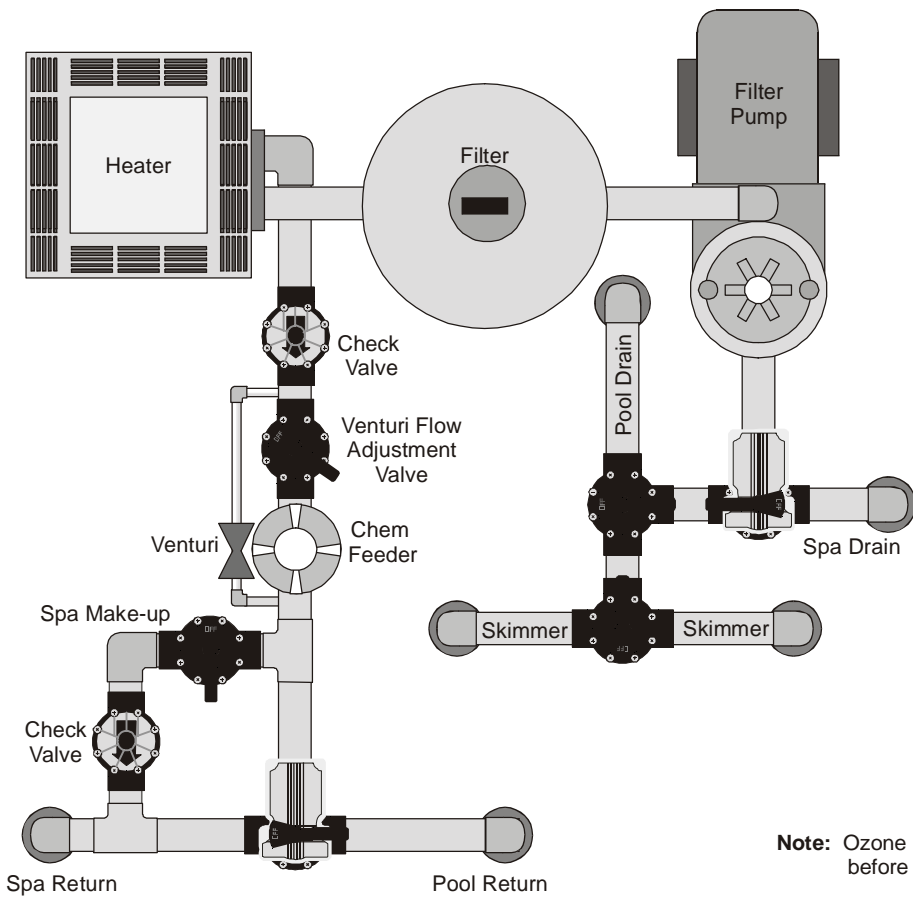


Note 1: Both pumps can operate simultaneously. Only one system (pool or

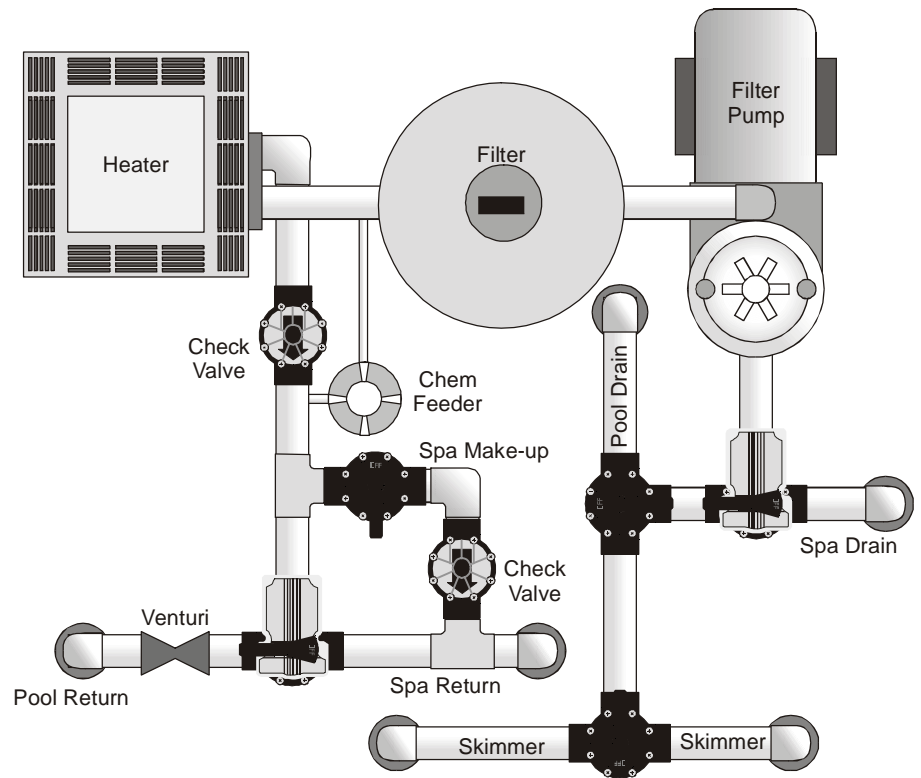
Note 2: Solar system for pool heating only. Two speed filter pump for spa only.

Pool & Spa Combination Plumbing With Ozone and Chemical Feeder

Inline Feeder / Bypass Venturi

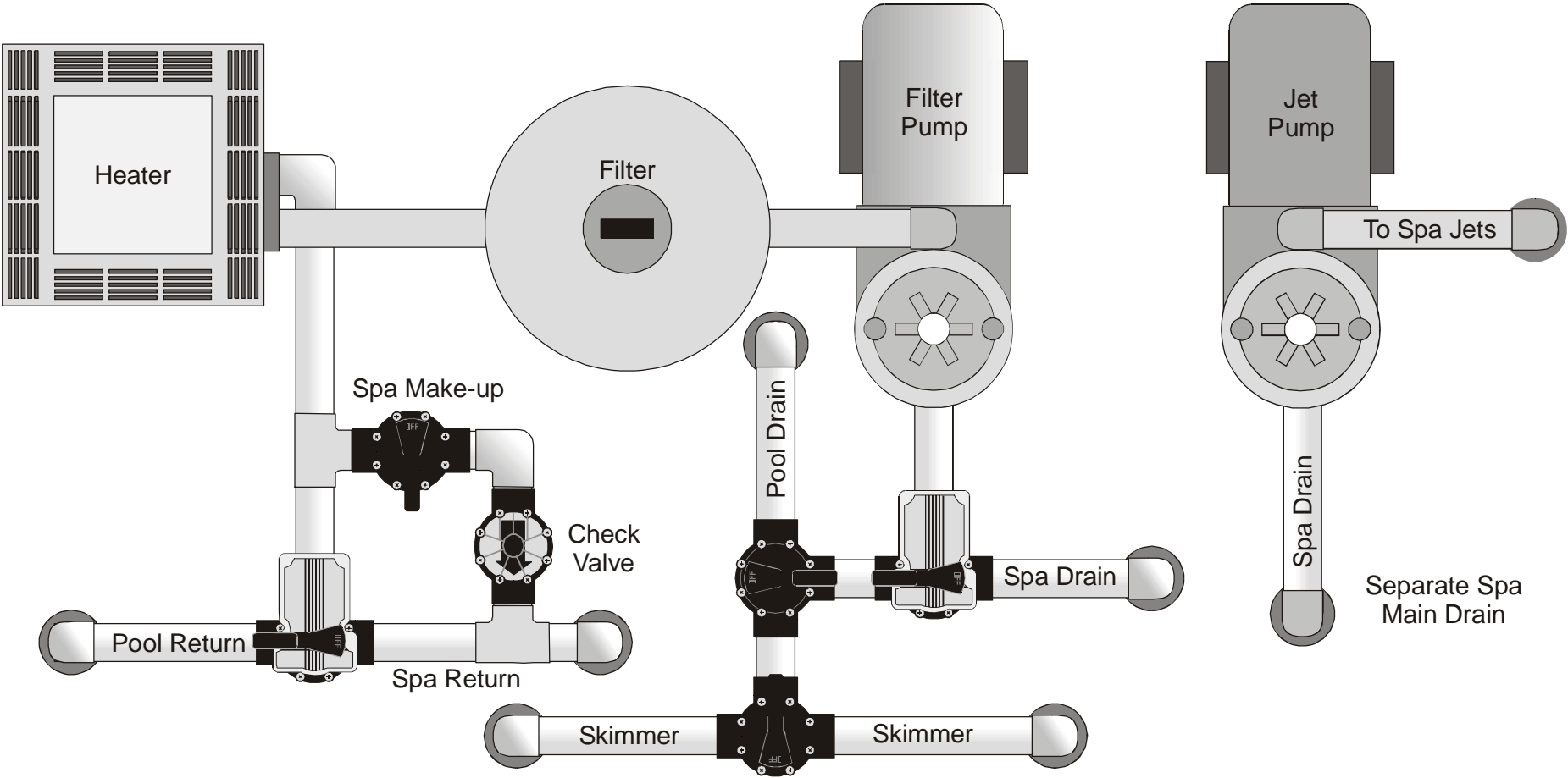


Bypass Feeder / Inline Venturi



Note: Ozone unit should be turned off before running in spa mode.

Basic Pool & Spa Combination Plumbing (with separate Filter Pump and Jet Pump)





6000 Condor Drive, Moorpark, CA, USA 93021 • 707.776.8200 FAX 707.763.7785
480 S. Service Road West, Oakville, Ontario, Canada L6K 2H4 • 905.844.8233 FAX 905.844.2635

Litho in U.S.A. © Water Pik Technologies, Inc. 0201